

# MARKS PRYOR

MARKING TECHNOLOGY

**Highly Configurable**

**Easy to Use**

**Quiet, Fast,  
Efficient Marking**

**Stand Alone  
or Integrated**

**Wide Range  
of Options**



*Impressions Unlimited...*

**Authorized Distributor**



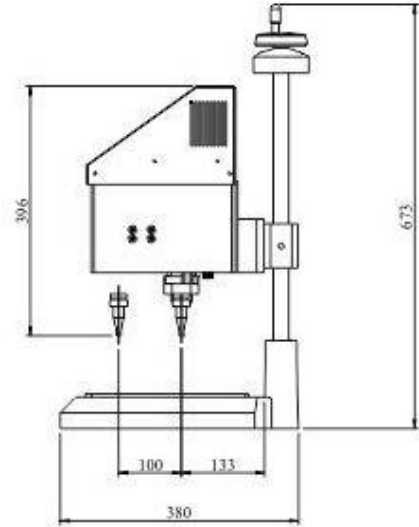
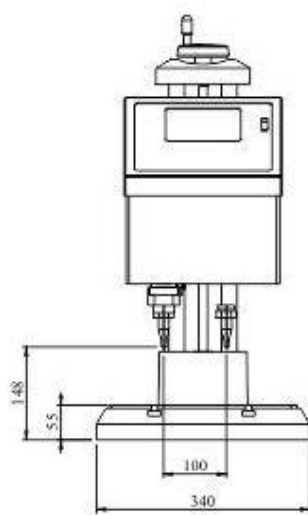
INTELLIGENT MARKING SOLUTIONS

# MP-1100

## Extremely User Friendly Machine

- Low cost permanent identification.
- No PC required.
- Integrated controller, keyboard, software and graphical display.
- Menu driven programming.
- High quality of mark.
- Requires compressed air.
- Fast.
- Protected industrial membrane keyboard.
- Based on the proven markmate pneumatic platform.
- Serial number, date code, logo making is possible.
- Suitable for most marking application in industrial.

[www.amtcpl.com](http://www.amtcpl.com)



## Technical Specifications

Marking window	100X100
User Friendly Firmware	✓
Graphical Screen	✓
Print Preview	✓
Logo Marking	✓
Programmable Character Height & Width	✓
Radial, Angular, Straight Marking	✓
Fonts 5X7, 7x9, varidot (Continues)	✓
Serial Numbers	✓
Date Codes (Year, Month, Week, Day, Shift ,hrs etc)	✓
RS232 Communication	✓
Flash EPROM	✓
Column Height Adjustment 270mm	✓
Membrane Keyboard	✓

Marks Pryor reserves the right to amend product specifications without notice.



**MARKS  
PRYOR**  
MARKING TECHNOLOGY

AN ISO 9001-2008  
COMPANY



QAC / R91 / 1520

Authorized Distributor



*Impressions Unlimited...*

**Asian Machine Tool Corporation Pvt Ltd**

Gat No-1239 B, Flat No- 03, 1<sup>st</sup> Floor "F" Wing, Mulshi Vaibhav, Opp Pirangut Police Station.

Pirangut, Mulshi, Pune – 412 108 (Maharashtra), India

Mob no :- 8378965091,

Office:-8378980175

Email:- saleswest@amtcl.com

admin@amtcl.com

**: Branches :**

Pune , Aurangabad, Nashik, Nagpur, Kolhapur, Hubali, Belgoan,  
MP, Hyderabad, Bangalore, Chennai, Coimbtore